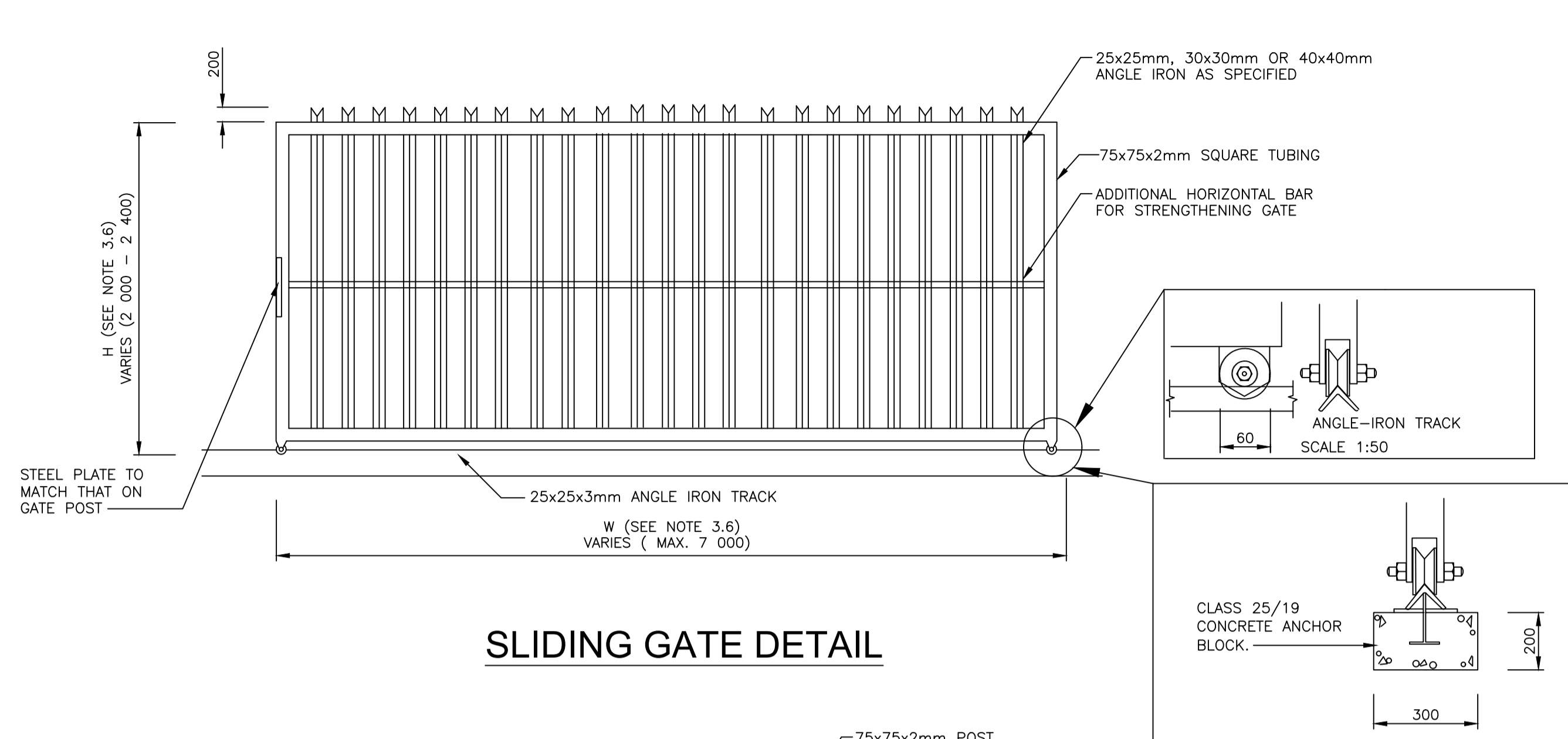
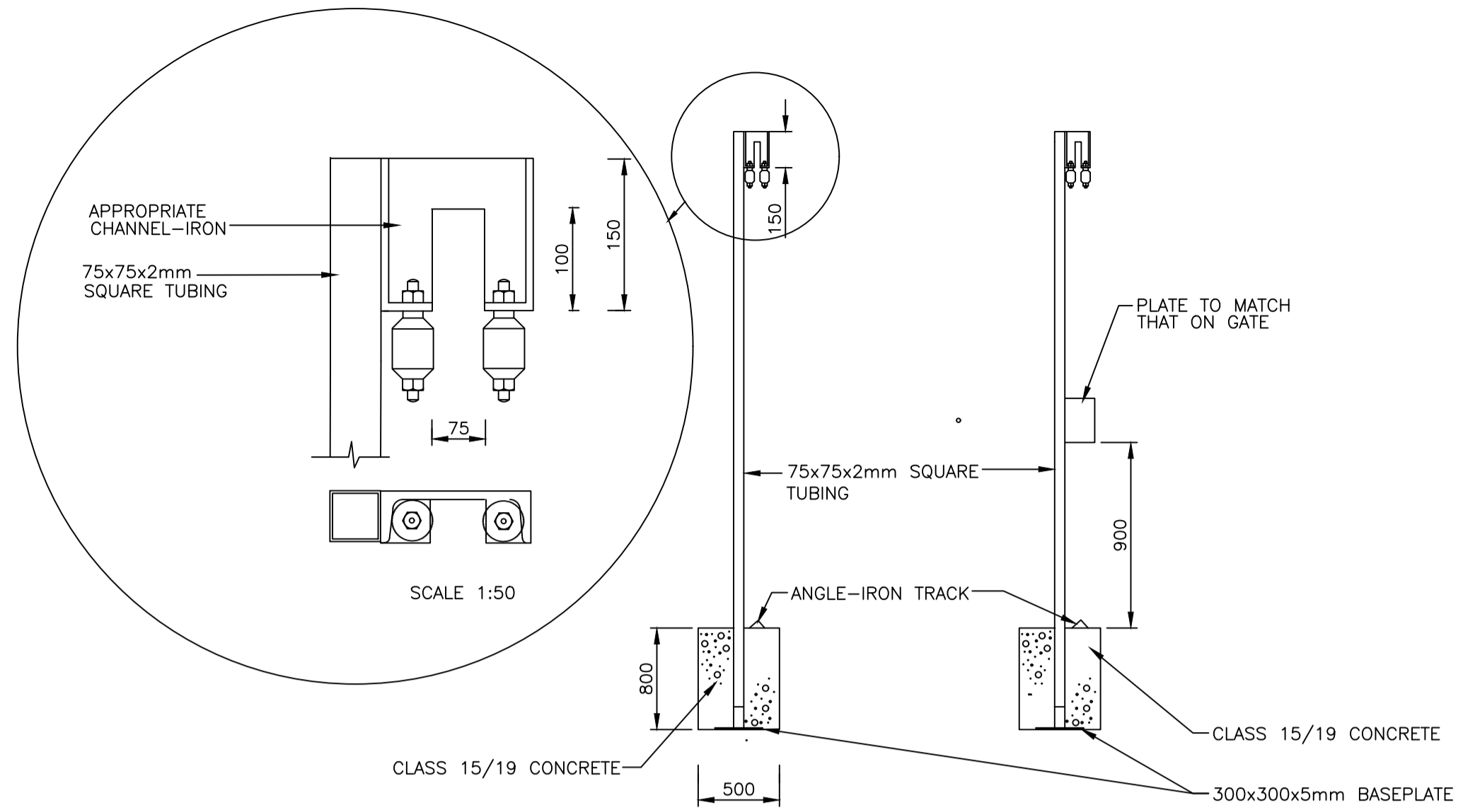


NOTES AND SPECIFICATIONS

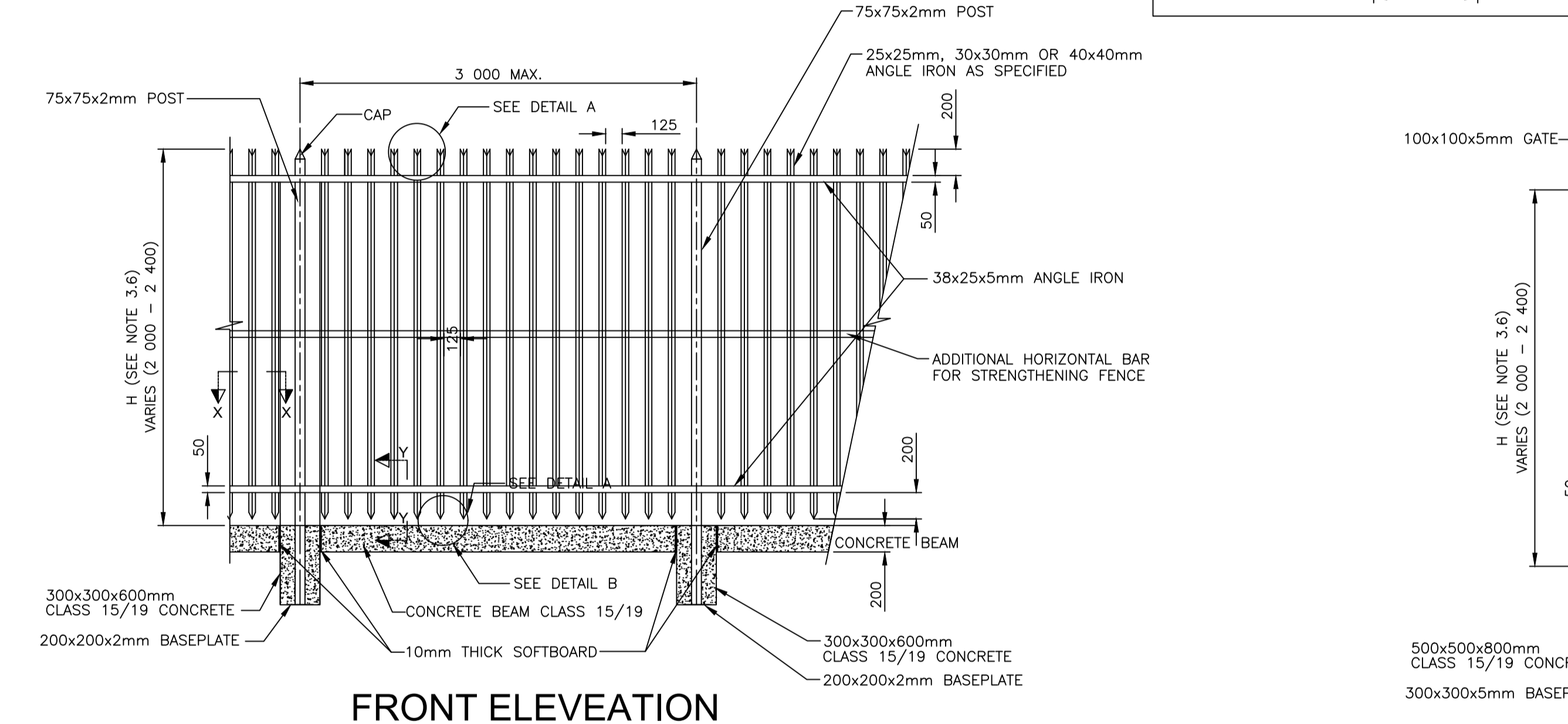
- GENERAL
 - ALL MATERIAL AND WORKMANSHIP MUST COMPLY WITH THE REQUIREMENTS OF THE LATEST RELEVANT SANS SPECIFICATIONS.
 - ALL DIMENSIONS ARE IN MILLIMETERS. (UNLESS OTHERWISE SPECIFIED)
 - DO NOT SCALE FROM THESE DRAWINGS.
 - ALL DIMENSIONS MUST BE CHECKED AND APPROVED ON SITE.
 - ALL CONSTRUCTION TO BE DONE IN ACCORDANCE WITH THE STANDARD SPECIFICATIONS FOR MUNICIPAL CIVIL ENGINEERING WORKS, THIRD EDITION, 2005 AND THE STANDARD CTMM DETAIL DRAWINGS
 - THESE DRAWINGS MUST BE READ IN CONJUNCTION WITH THE ARCHITECTS DRAWINGS (IF APPLICABLE)
- CONCRETE
 - REINFORCED CONCRETE WORK SHALL BE IN STRICT ACCORDANCE WITH SECTIONS 702, 703 AND 704 OF THE STANDARD SPECIFICATIONS FOR MUNICIPAL CIVIL ENGINEERING WORKS, 3rd EDITION, 2005.
 - ALL EXCAVATIONS FOR BASES AND FOOTINGS MUST BE INSPECTED AND APPROVED IN WRITING BY THE ENGINEER BEFORE CONCRETE IS PLACED.
 - REINFORCEMENT AND FORMWORK MUST BE INSPECTED AND APPROVED IN WRITING BY THE ENGINEER BEFORE CONCRETE IS PLACED.
- STEELWORK
 - STRUCTURAL STEELWORK SHALL BE IN STRICT ACCORDANCE WITH SECTION 809 OF THE STANDARD SPECIFICATIONS FOR MUNICIPAL CIVIL ENGINEERING WORKS, 3rd EDITION, 2005
 - STRUCTURAL STEEL SHALL BE GRADE 300W UNLESS OTHERWISE INDICATED OR SPECIFIED.
 - COLD FORMED SECTIONS SHALL BE MADE FROM COMMERCIAL QUALITY STEEL UNLESS OTHERWISE SPECIFIED.
 - HOLDING DOWN BOLTS SHALL BE OF THE GRADE SPECIFIED ON THE DRAWINGS.
 - PAINTING OF STRUCTURAL STEELWORK SHALL BE IN STRICT ACCORDANCE WITH THE REQUIREMENTS OF SECTION 806 OF THE STANDARD SPECIFICATIONS. NOTE: THE RATES TENDERED FOR STRUCTURAL STEELWORK SHALL BE DEEMED TO INCLUDE FOR PAINTING AS SPECIFIED IN SECTION 806 OF THE STANDARD SPECIFICATIONS, FOR MUNICIPAL CIVIL ENGINEERING WORKS, 3rd EDITION, 2005.
 - "W" AND "H" INDICATE THE WIDTH OF THE GATE AND HEIGHT OF THE PALISADE FENCE RESPECTIVELY. VALUES FOR "W" AND "H" WILL BE SHOWN ON THE DETAIL DRAWINGS, IN THE SCHEDULE OF QUANTITIES OR INDICATED BY THE ENGINEER.



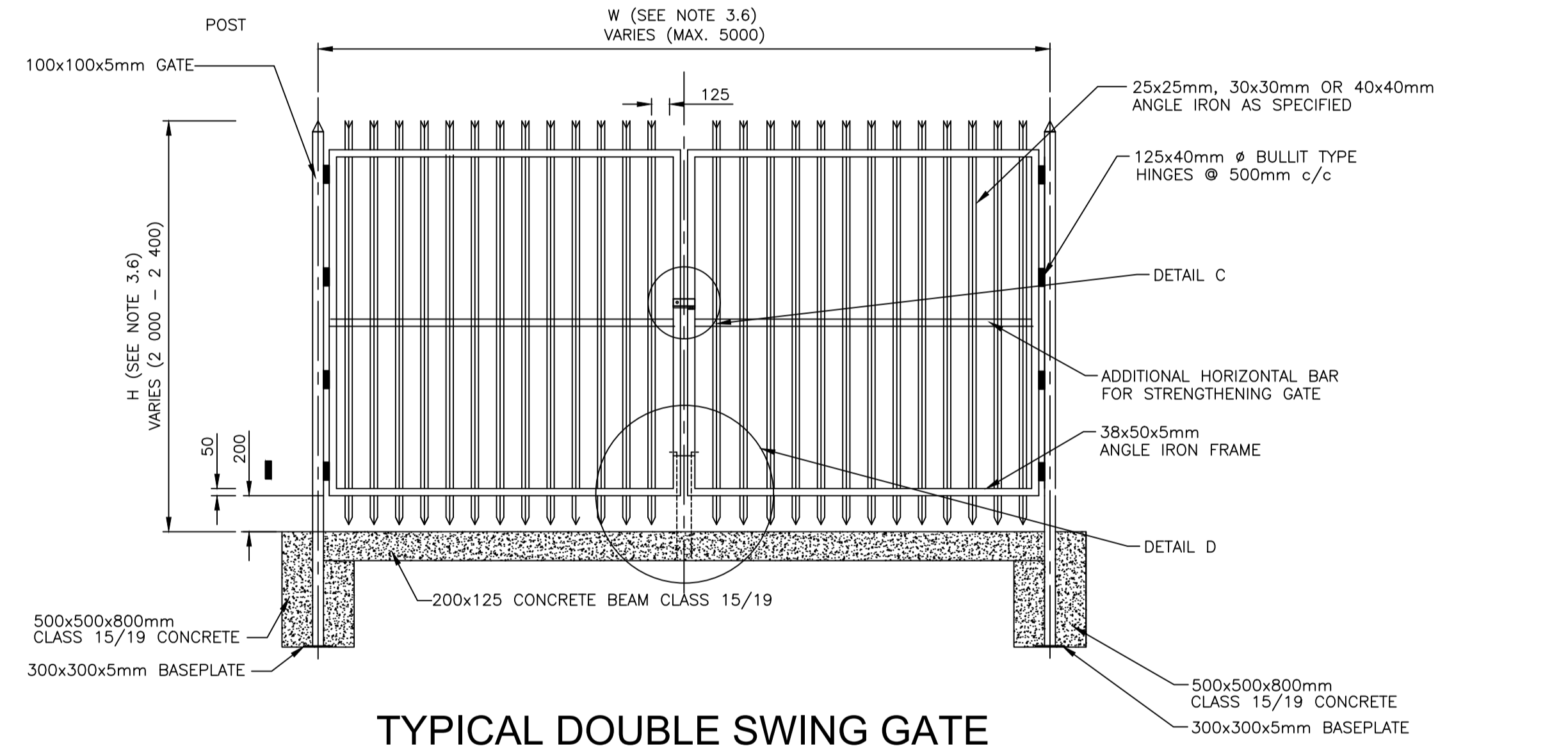
SLIDING GATE DETAIL



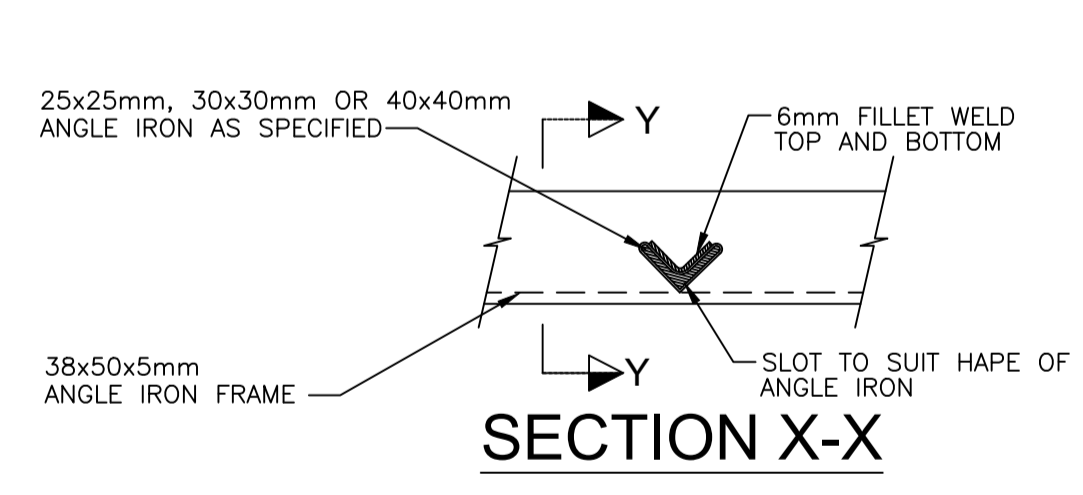
GATEPOSTS FOR SLIDING GATE DETAIL



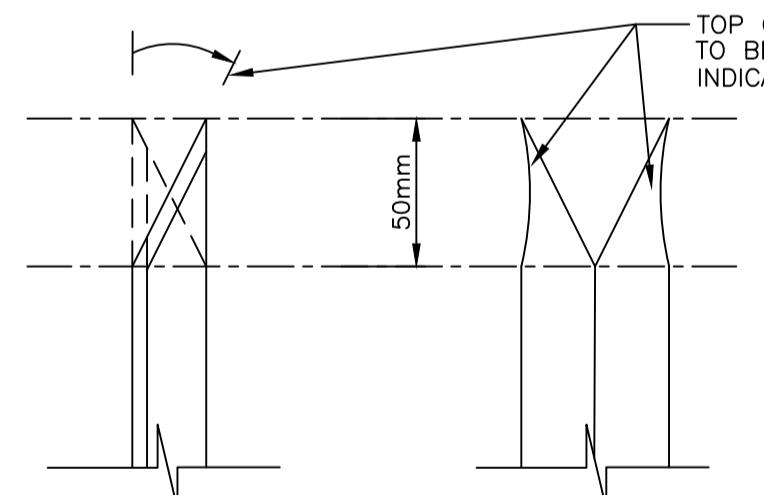
FRONT ELEVATION



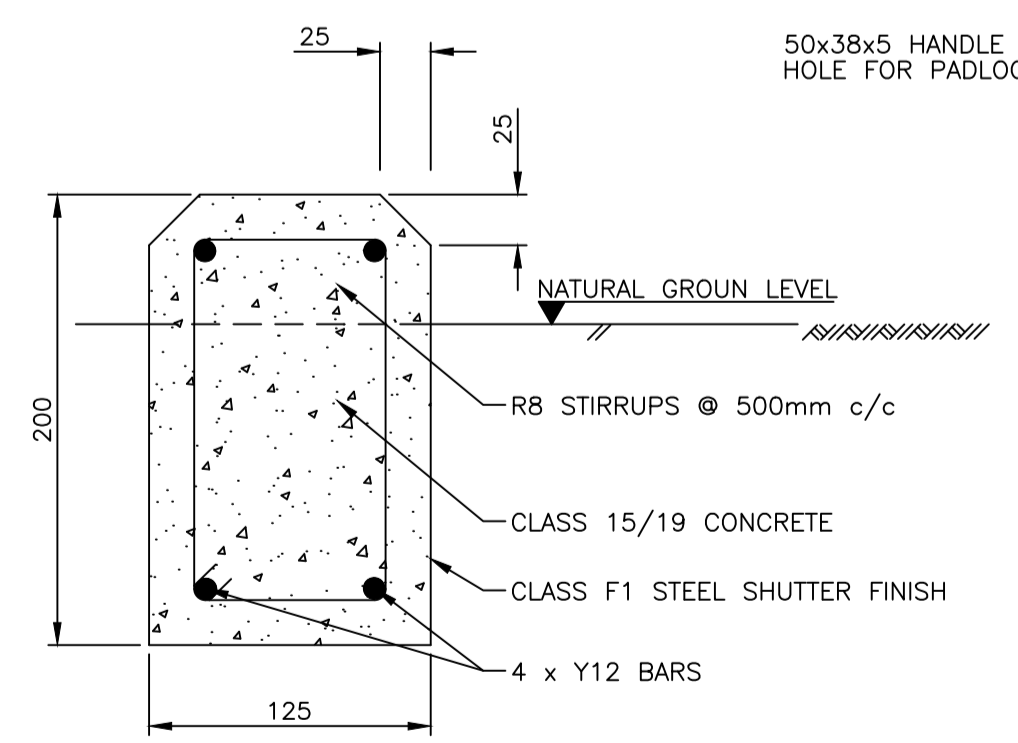
TYPICAL DOUBLE SWING GATE



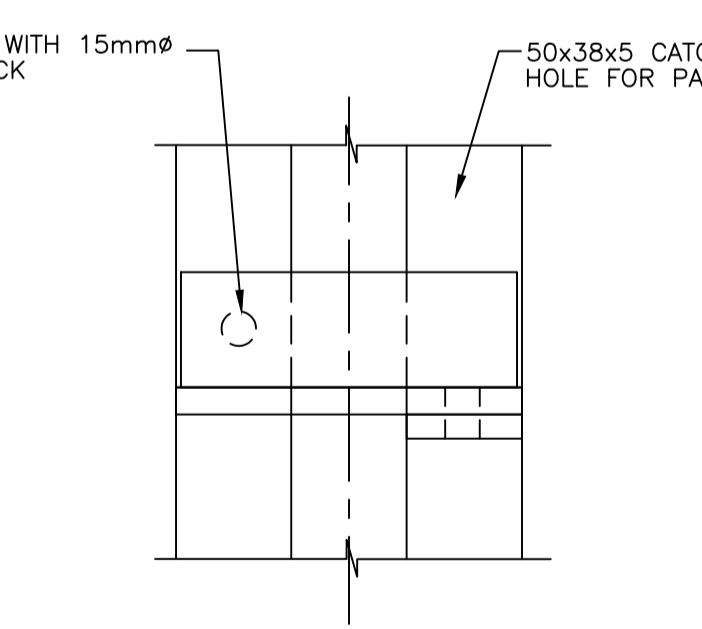
SECTION X-X



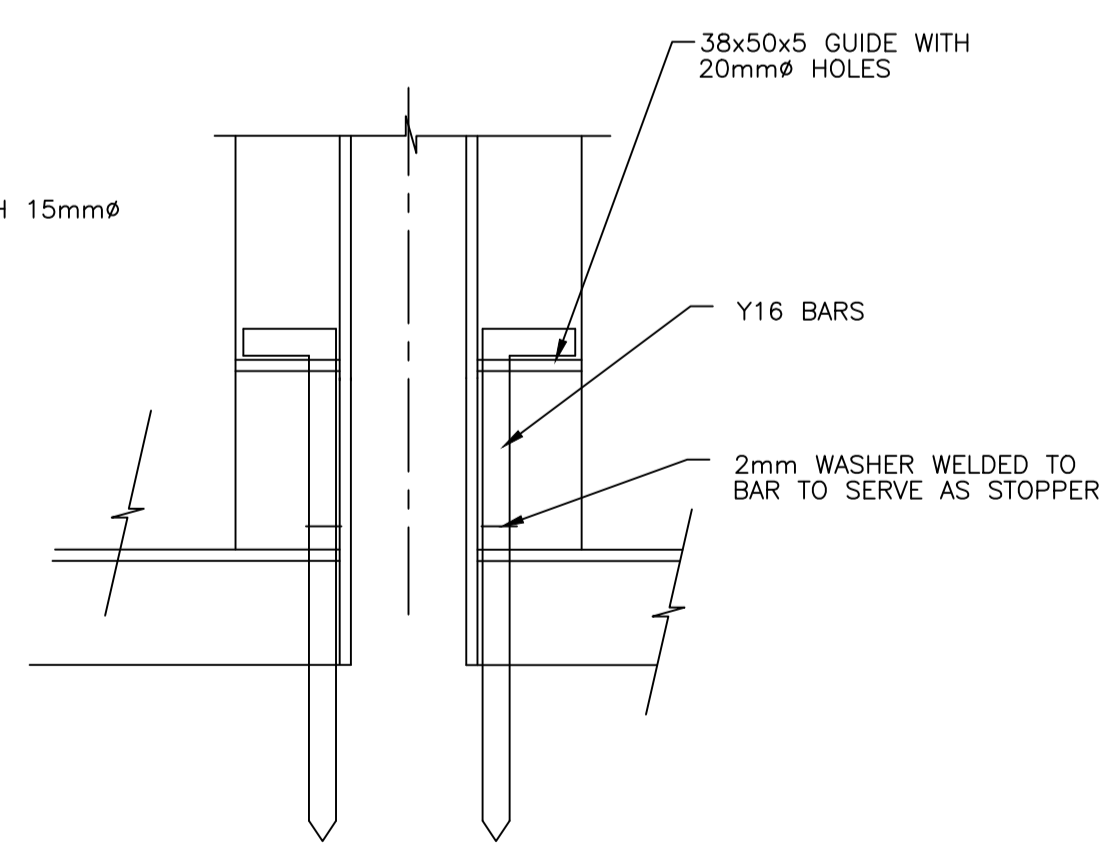
DETAIL A



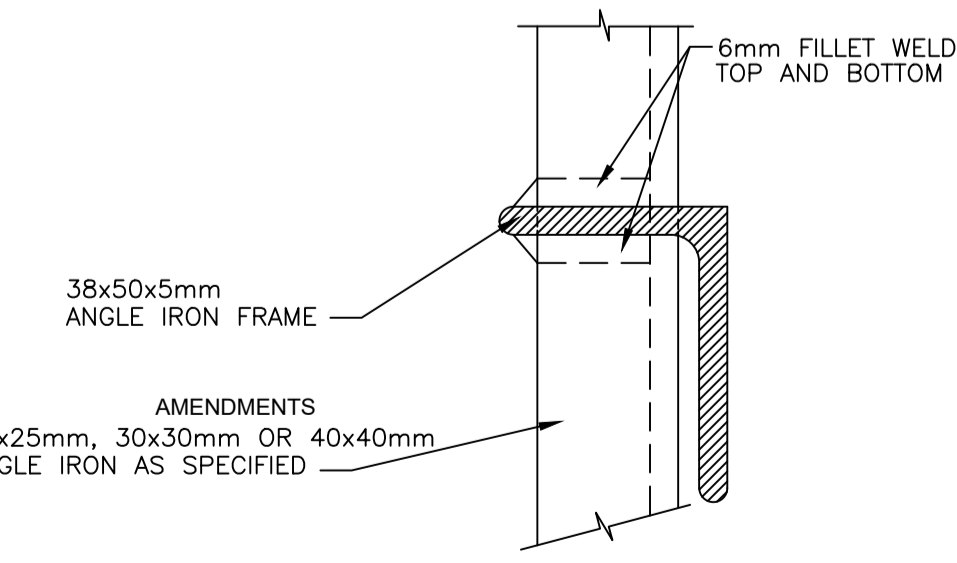
TYPICAL SECTION THROUGH CONCRETE BEAM



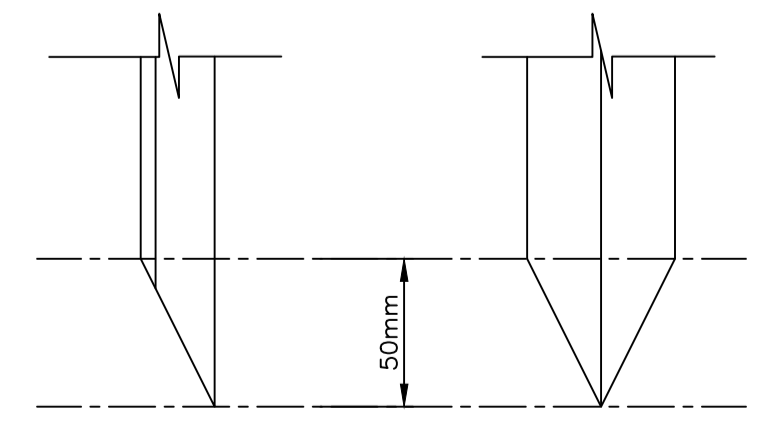
DETAIL C (FRONT ELEVATION)



DETAIL D (BACK ELEVATION)



SECTION Y-Y



DETAIL B

AMENDMENTS				
NR.	DATE	APPROVED	DESCRIPTION	PAR.

DESIGNED J. CRONJE Pr Tech Eng.	DRAWN S. AUDIE
CHECKED BY S. NAIDOO Pr Tech Eng.	INFRASTRUCTURE TECHNICAL INFORMATION MANAGEMENT D.J. CHALLERS

CITY OF TSHWANE
ROADS AND TRANSPORT DEPARTMENT

GROUP HEAD Mr Letlorkane P. (Pheko) P.O. BOX 1409 PRETORIA 0001		DIVISIONAL HEAD Mr Marven K. Thagale P.O. BOX 1409 PRETORIA 0001
TRANSPORT INFRASTRUCTURE DIVISIONAL HEAD Mr K. Thagale (Marven)	DRAWING RECOMMENDED BY DIVISIONAL HEADS	TRANSPORTATION PLANNING DIVISIONAL HEAD Mr L. Swaneepoel (Lourens)
SIGNATURE: _____		SIGNATURE: _____
DATE: _____		DATE: _____
DRAWING APPROVED BY GROUP HEAD Mr Letlorkane P. (Pheko)		
SIGNATURE: _____		DATE: _____

LOCATION OF PROJECT:

TYPICAL STANDARD DETAILS

DESCRIPTION OF PROJECT:

FENCES AND GATES
STEEL PALISADE FENCING

CONTRACT No.:	PROJECT No.:
DATE: 09 MARCH 2021	SCALE: NOT TO SCALE
DRAWING NO. STD014	SHEET NO. 2 OF 4