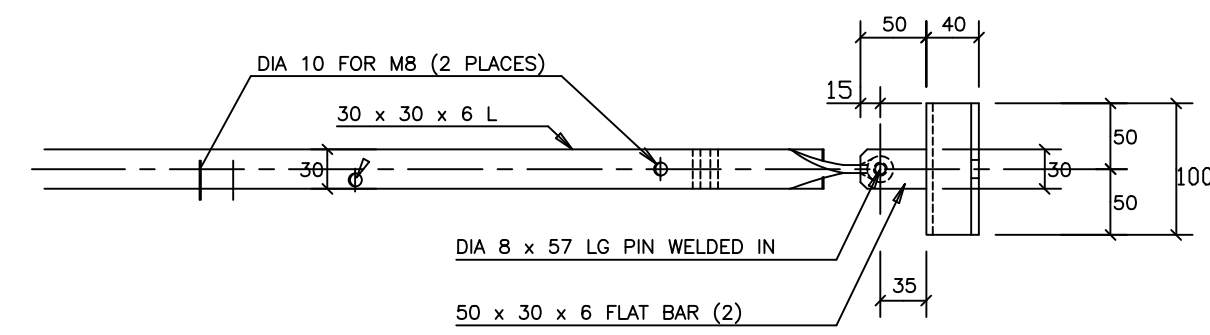


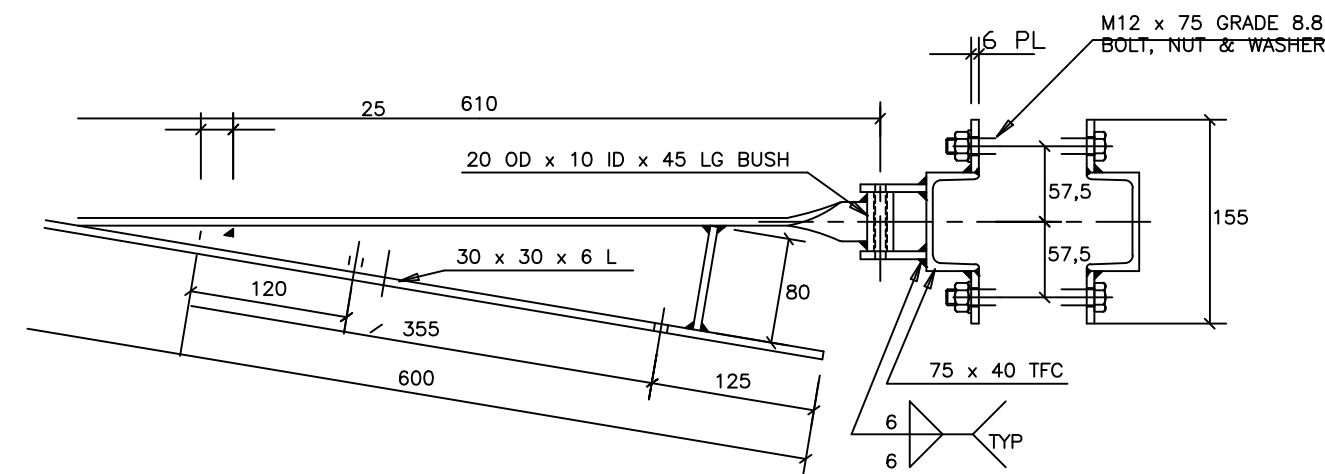
SECTION ON C

DETAIL 4A: STANDARD SIGNAL HEAD COMPONENTS

ITEM	DESCRIPTION	QTY
1	CAST ALUMINIUM CHASSIS	1
2	PARABOLIC REFLECTOR	1
3	TEXTILE SEAL	1
4	RUBBER SEAL	1
5	COLORURED LENS	1
6	VISOR	1
7	INCANDESCENT LAMP	1



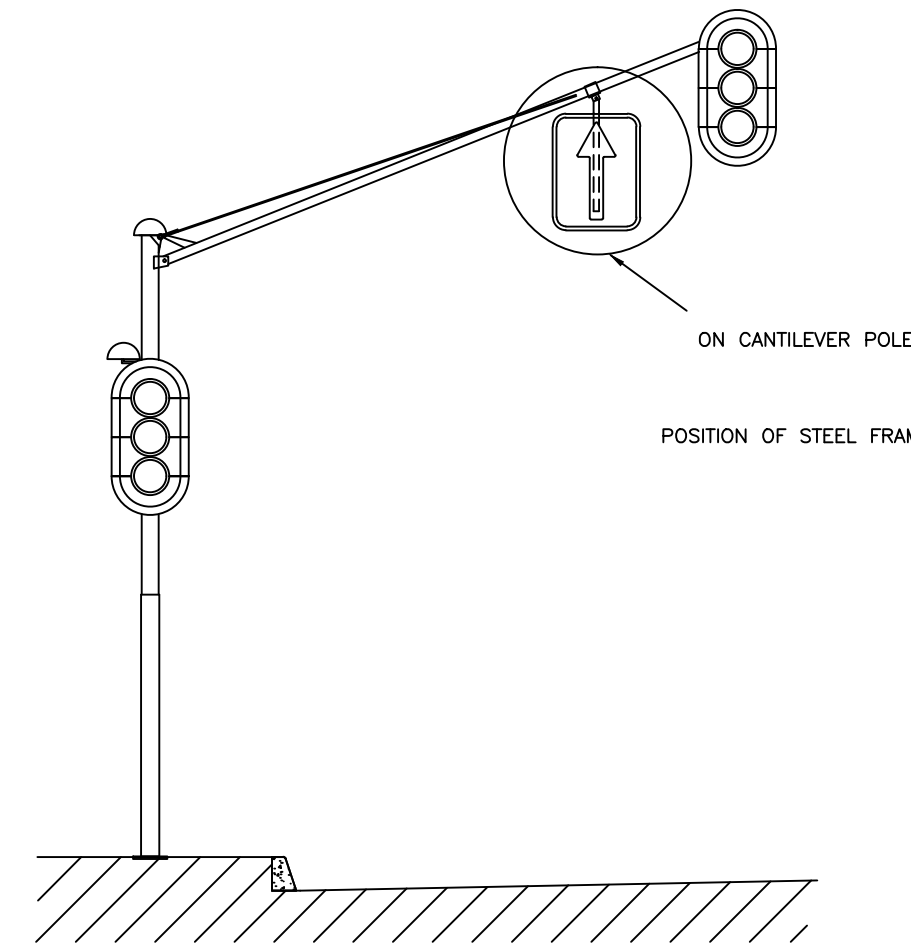
END ELEVATION



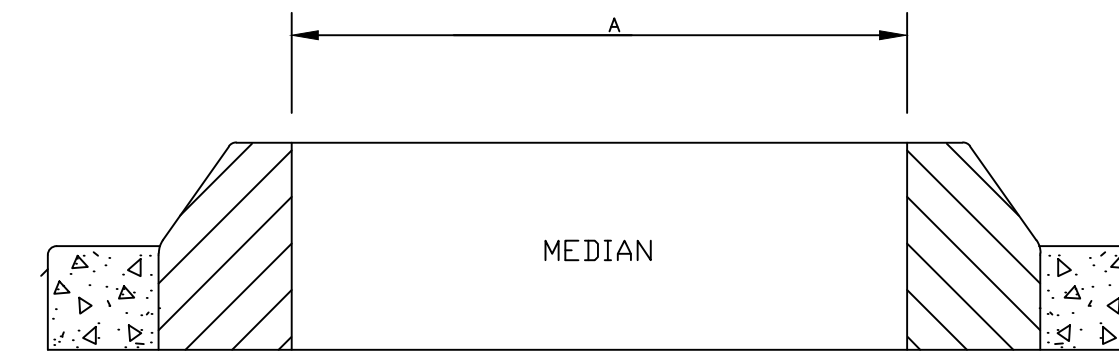
SIDE ELEVATION

DETAIL 4C: STEEL FRAME FOR FIXING ROAD SIGNS TO CANTILEVER POLES

DETAILS BASED ON FRAME PROVIDED BY CTMM ELECTRICAL DEPARTMENT



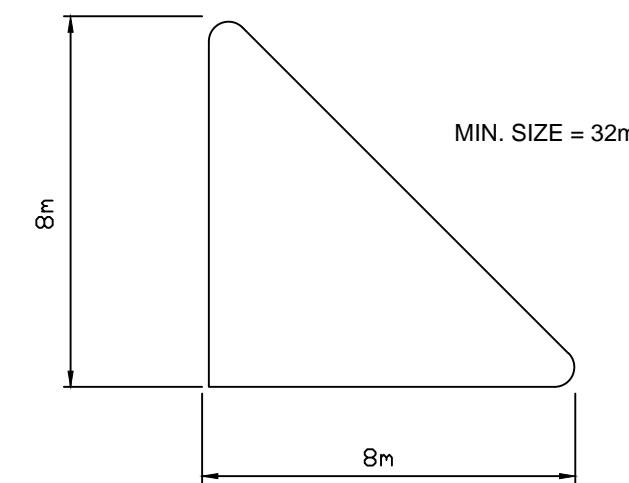
MOUNTING OF STEEL FRAME ON CANTILEVER POLE



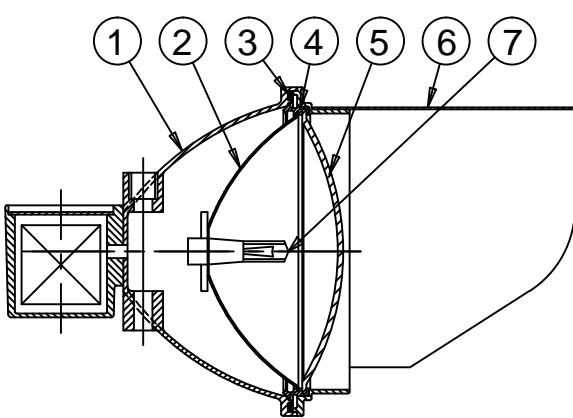
MIN INTERNAL MEASUREMENT BETWEEN KERBS

ASPECT	A MIN.
3 ASPECT SIGNAL	1,7m
5 ASPECT SIGNAL	2,0m
2 x 3 ASPECT PLUS SIGNS	2,5m

TABLE: A MIN. DISTANCE BETWEEN KERBS



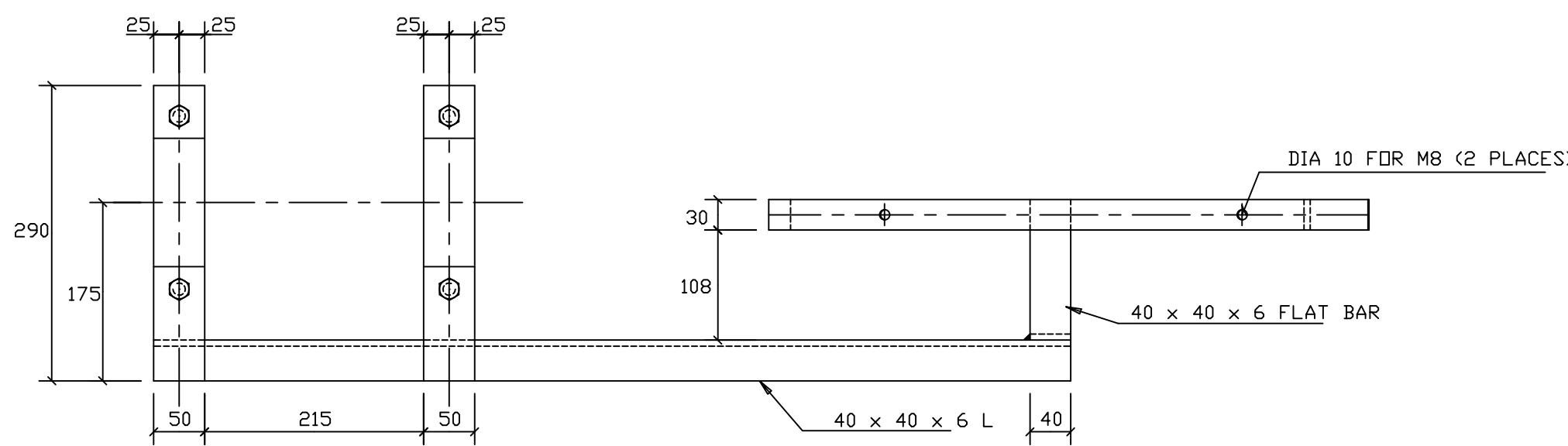
MIN SIZE OF TRAFFIC ISLAND



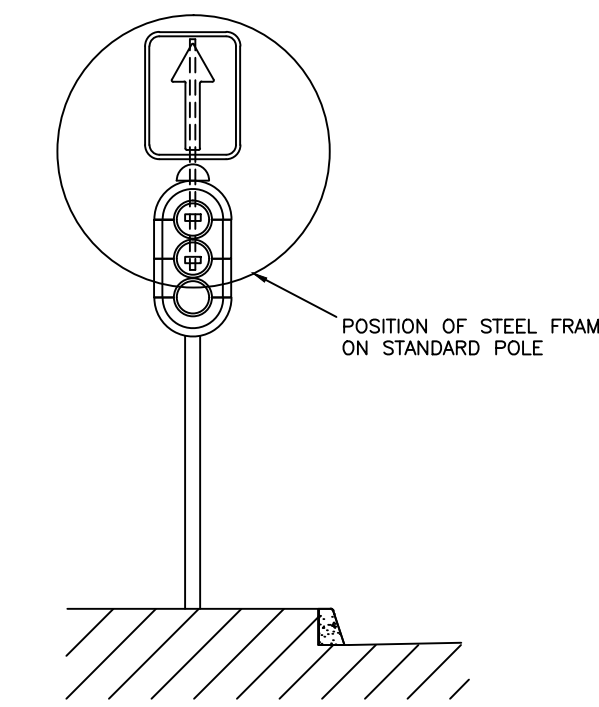
SECTION ON C

DETAIL 4B: HALOGEN SIGNAL HEAD COMPONENTS

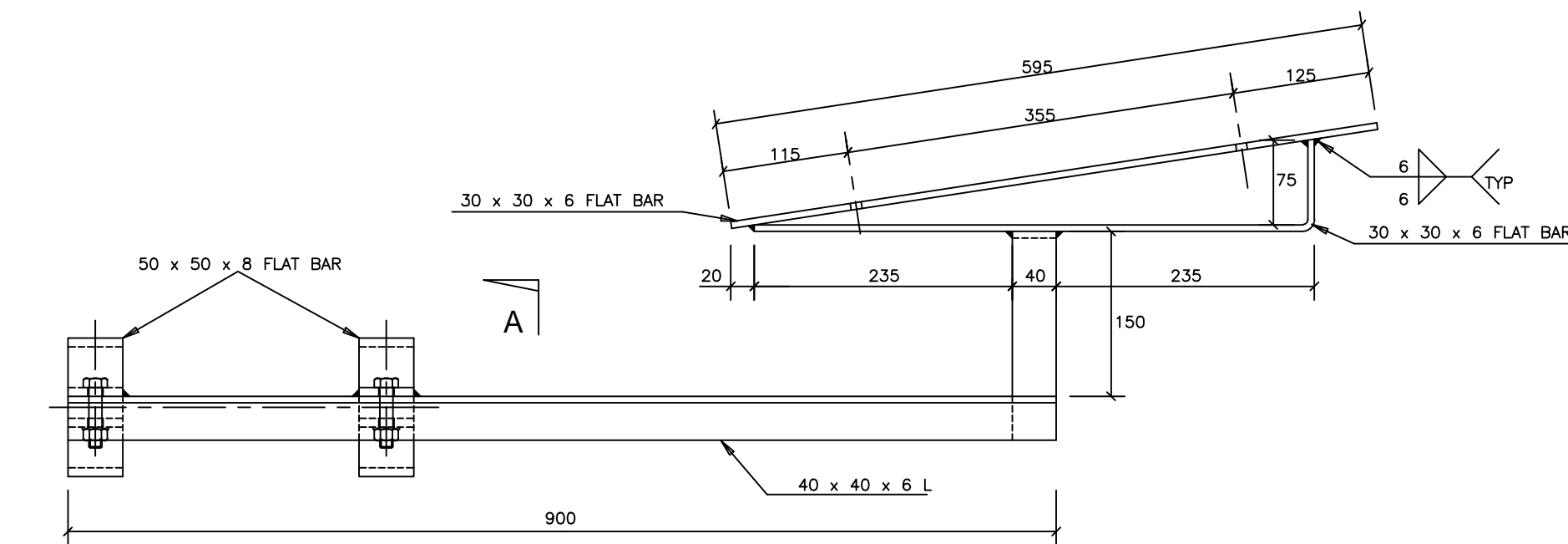
ITEM	DESCRIPTION	QTY
1	CAST ALUMINIUM CHASSIS	1
2	PARABOLIC REFLECTOR	1
3	TEXTILE SEAL	1
4	RUBBER SEAL	1
5	COLORURED LENS	1
6	VISOR	1
7	HALOGEN LAMP	1



SIDE ELEVATION



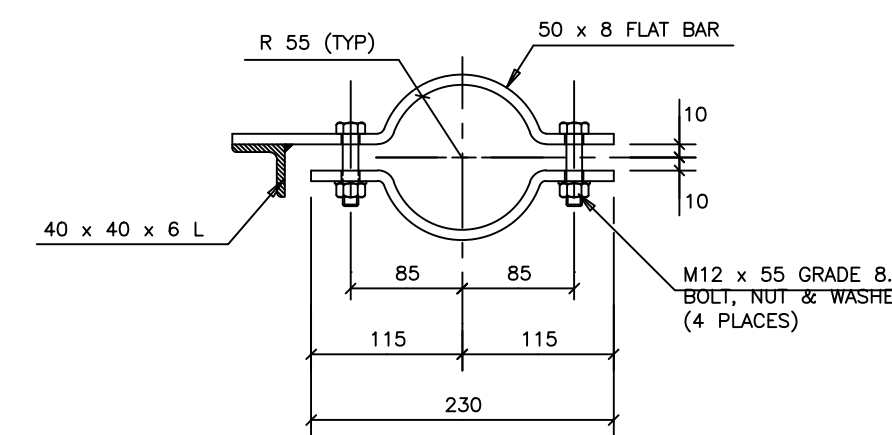
MOUNTING OF STEEL FRAME ON STANDARD POLE



END ELEVATION

DETAIL 4D: STEEL FRAME FOR FIXING ROAD SIGNS ON TOP OF STANDARD POLES

DETAILS BASED ON FRAME PROVIDED BY CTMM ELECTRICAL DEPARTMENT



SECTION A-A

AMENDMENTS				
NR.	DATE	APPROVED	DESCRIPTION	PAR.

DESIGNER H. STRACHAN	DRAWN S. AUDIE
DESIGN CHECKED BY P. A. ODENDAAL Pr.Eng.	INFRASTRUCTURE TECHNICAL INFORMATION MANAGEMENT D.J. CHALMERS
SIGNATURE: _____ DATE: _____	SIGNATURE: _____ DATE: _____

**CITY OF TSHWANE**  
ROADS AND TRANSPORT DEPARTMENT

GROUP HEAD  
Mr. Letloka P. (Pheko)  
P.O. BOX 1409  
PRETORIA  
0001

ACTING DIVISIONAL HEAD  
Mr. Lebepe M.T. (Thabo)  
P.O. BOX 1409  
PRETORIA  
0001

DRAWING APPROVED BY ACTING EXECUTIVE DIRECTOR  
Mr. Lebepe M.T. (Thabo)

LOCATION OF PROJECT:  
**TYPICAL STANDARD DETAILS**

DESCRIPTION OF PROJECT:  
**TRAFFIC SIGNALS**  
SIGNAL HEAD SECTIONS AND SPECIAL ROAD SIGN FIXTURES

CONTRACT No.:	PROJECT No.:
---------------	--------------

DATE: FEBRUARY 2017	SCALE: AS SHOWN	ORIGINAL PAPER SIZE: A1
------------------------	--------------------	----------------------------



DRAWING NO. <b>STD019</b>	SHEET NO. 3 OF 4	REVISION
------------------------------	---------------------	----------